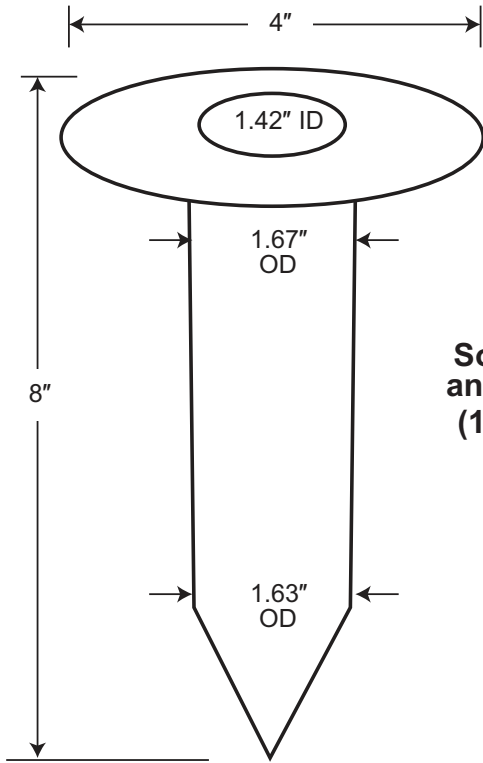


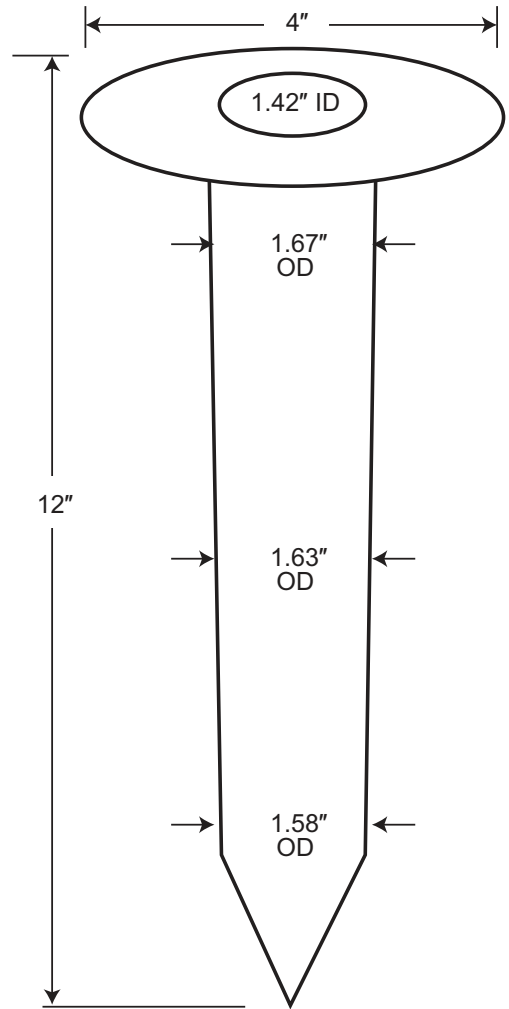
Ground Socket Dimensions and Instructions



White or Yellow Plugs

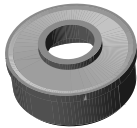


Sockets are designed to anchor one inch standard (1.315" OD) tubing/poles



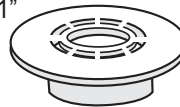
Smaller diameter poles? Use our Reducer Plugs:

1/2" Reducer Plug



Dual Diameter 3/4" and 1" Reducer Insert (cut out center ring)

3/4" Poles



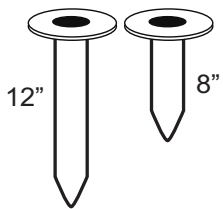
1" Poles



8 and 12 inch Ground Socket Instructions

Ground Sockets

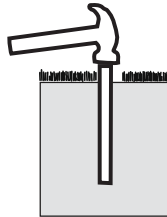
You may have either size socket depending on your product. 8 or 12 inch.



IMPORTANT!

Create a PILOT HOLE!

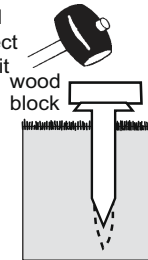
(1" - 1-1/2" dia. by 8" or 12" deep - depending on your socket)



Push Socket as far as you can into pilot hole



Using a wood block to protect socket, drive it into ground.



Make sure socket is flush with the turf line.



Socket Removal:

For permanent relocation, use a spade or claw hammer to pry up socket flange, then pull up socket.

