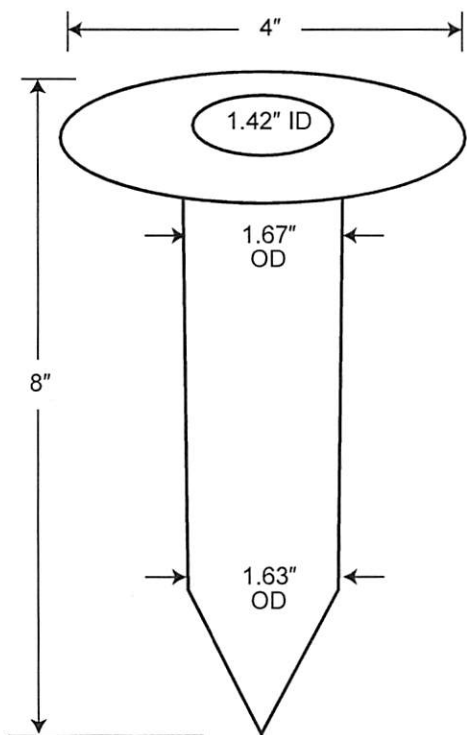


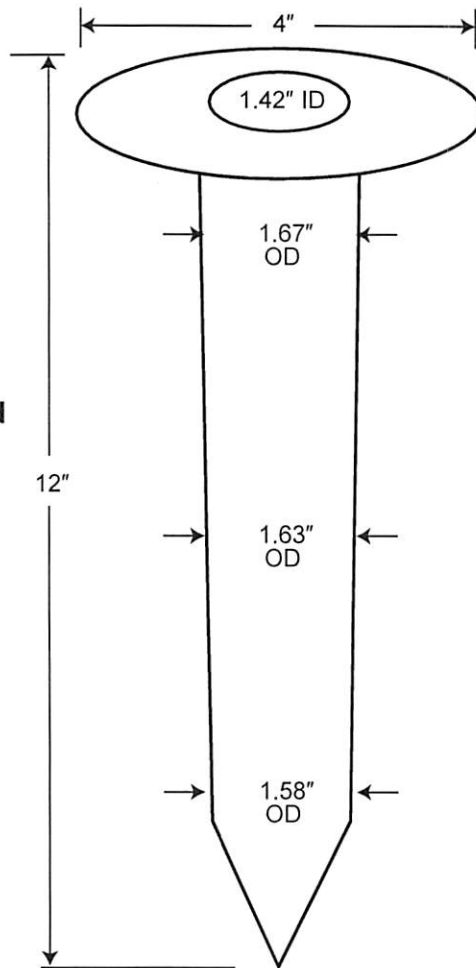
Ground Socket Dimensions and Instructions



Plugs
(white/
yellow/
orange)



Sockets are designed to anchor one inch standard PVC tubing (1.315" OD)

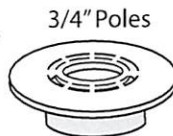


Smaller diameter poles?
Use our Reducer Plugs:

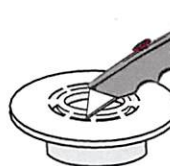
1/2" Static Reducer



Dual Diameter 3/4" and 1" Reducer Insert (cut out center ring)



3/4" Poles



1" Poles



8 and 12 inch Ground Socket Instructions

<p>Ground Sockets You may have either size socket depending on your product. 8 or 12 inch.</p> <p>12" 8"</p>	<p>IMPORTANT! Create a PILOT HOLE! (1" - 1-1/2" dia. by 8" or 12" deep - depending on your socket)</p> <p>Push Socket as far as you can into pilot hole</p> <p>Pilot Hole</p> <p>Using a wood block to protect socket, drive it into ground.</p> <p>wood block</p> <p>Make sure socket is flush with the turf line.</p>	<p>Socket Removal: For permanent relocation, use a spade or claw hammer to pry up socket flange, then pull up socket.</p> <p>Spade Socket Wood block</p> <p>Claw hammer Socket Wood block</p>
---	---	--